

# Data Sheet

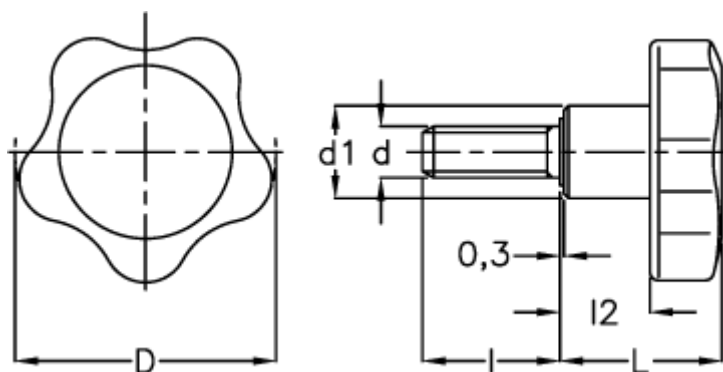


Article number: 2302166493

Description: E+G Lobe knobs  
VC.692/50 SST-p-M10x30

## Measures

---



D	= 50
d1	= 18
d 6g	= M10
l	= 30
L	= 31
l2	= 17